

HP 4000-LT

The Hand Lever Pump
Rugged - Efficient - Safe

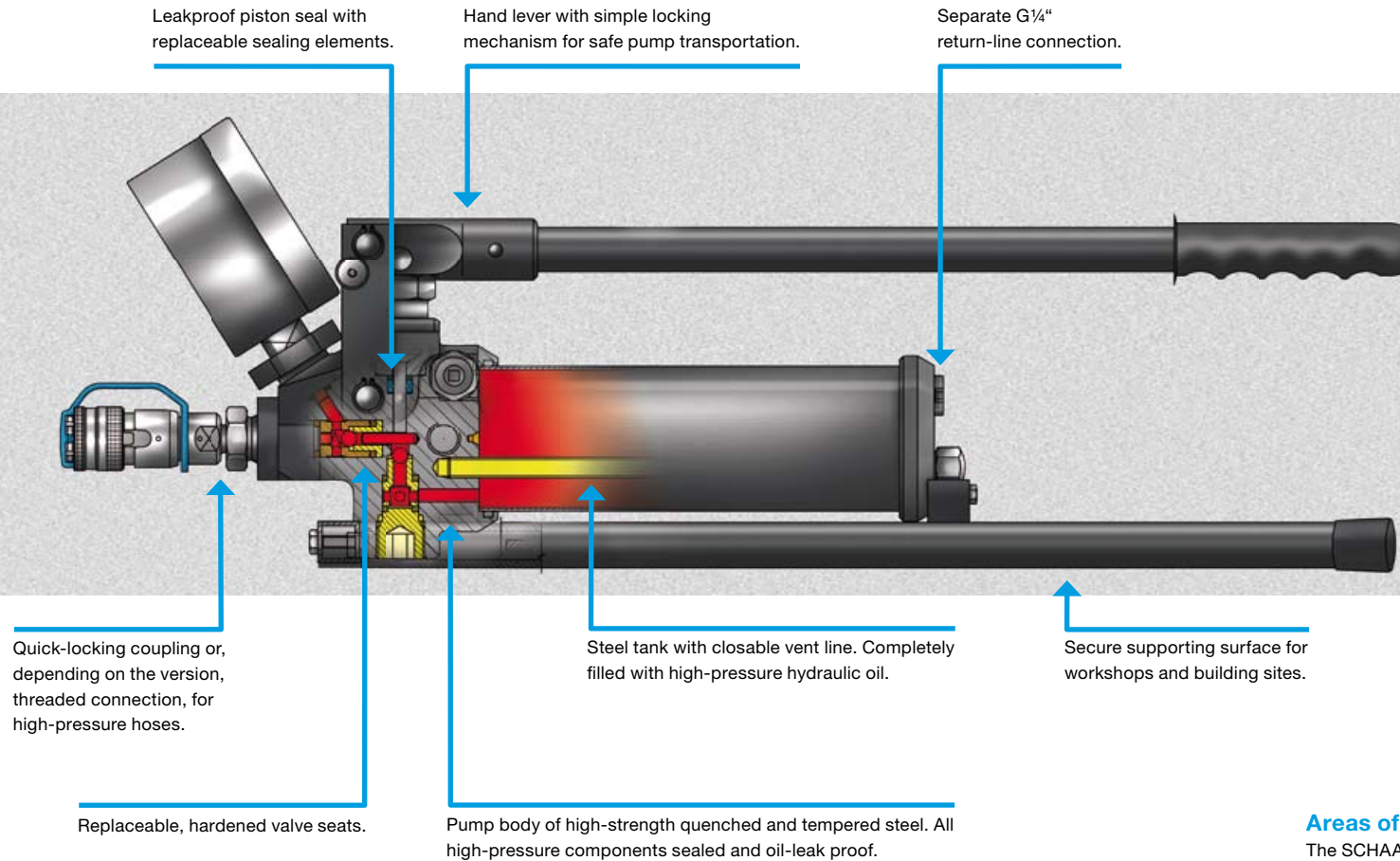


HP 4000-LT – always
ready for immediate use.



HP 4000-LT

Completely assembled and ready for immediate use
hand lever pump for hydraulic pressures up to 4000 bar



Areas of Application

The SCHAAF HP 4000-LT is ideally suited for:

- Tightening and loosening of oil press fits (e.g., gearwheels, flywheels, coupling hubs, roller bearings, hydraulic couplings and overload protection devices)
- The use of bolt tensioners, hydraulic nuts, ExpaTen Bolts and EcoRolls

➔ Type code and additional information under www.schaaf-gmbh.com

Advantages

The SCHAAF **HP 4000-LT** is a one-stage hand lever pump, specially designed for industrial use.

Consequently, it is a reliable high-pressure generator:

- Rugged, durable and lightweight mode of construction
- Immediately ready for use, fully assembled and oil filled
- All components sealed leakproof
- No pressure loss even at 4000 bar
- Low leverage (400 N at 4000 bar)
- Pump body of high-strength quenched and tempered steel
- Hardened, replaceable valve seats
- Pressure relief valve with internal tank return line
- Permanently installed tubular-steel tank with supporting feet, venting and return line connection G $\frac{1}{4}$ "
- Perm. installed hand lever with quick-acting locking mech.
- All steel components burnished
- Low-maintenance operation

■ Any special version possible

Complete solution from SCHAAF

The accessories for the **HP 4000-LT**, such as hydraulic hoses and connection couplings, are aligned to the functions = 100 % system solution.

Quality Assurance

All **HP 4000-LT** are checked for material quality, dimensional accuracy, correct functioning and load-resistance. During order execution, they are subject to continuous quality assurance measures and are supplied together with detailed technical documentation.

Services

HP 4000-LT are, of course, oil filled and ready for immediate use.

SCHAAF **HP 4000-LT** are user-friendly, reliable, and manufactured in accordance with the highest level of technical know-how.

Our highly-motivated staff would be pleased to train your personnel, in situ or at our works, in the general handling and operation of high-pressure equipment.



Complete portable pump assembly for oil press fits

Certificates

- Material test reports
- Specific test reports
- Certificates in accordance with special customer requirements

Accessories manufactured by SCHAAF

- High-pressure hydraulic hoses
- Couplings, nipples, adapters, distributor blocks for pressures up to 4000 bar
- Hydraulic nuts, ExpaTen Bolts
- Bolt tensioners

SCHAAF GmbH & Co. KG

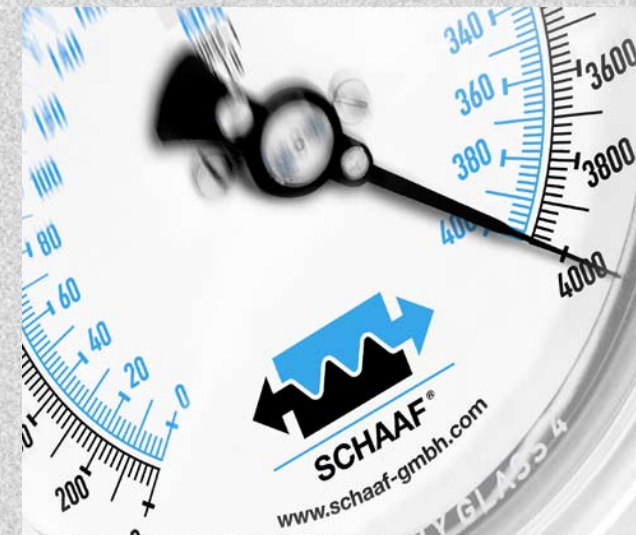
Bruesseler Allee 22
41812 Erkelenz - Germany

Telephone: +49 - 24 31-9 77 70-0

Fax: +49 - 24 31-9 77 70-77

E-Mail: info@schaaf-gmbh.com

Internet: www.schaaf-gmbh.com



Visit us on the internet and convince
yourself of our innovative services and products.

www.schaaf-gmbh.com



SCHAAF has been developing and manufacturing high-pressure hydraulic tools since 1954.